

**Marathwada Shikshan Prasarak Mandal's
Vinayakrao Patil Mahavidyalya, Vaijapur, Dist. Aurangabad
WORKSHOP ON INSTRUMENT HANDLING: GC AND HPLC**

Under

Alumni Engagement Initiative

26.09.2020

**UGC Scheme STRIDE – I
REPORT**

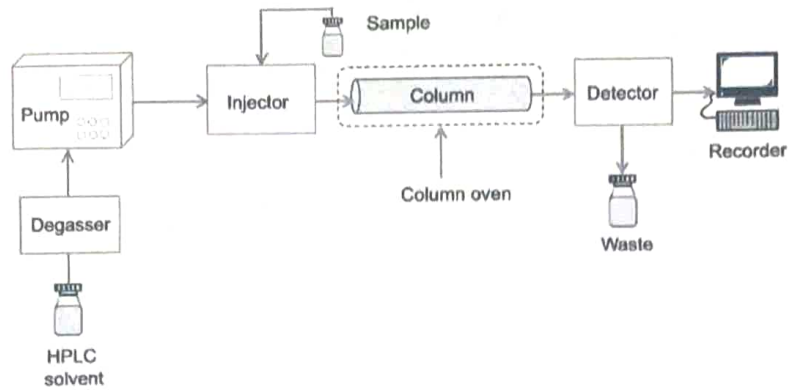
An online workshop on Instrument Handling: GC and HPLC was organized by department of Chemistry under STRIDE. The objective of the workshop was to explain the fundamentals and techniques of handling HPLC and GC to the students and faculty members. The HPLC and GC are the most useful analytical methods extensively used in analysis, research and industries.

In the first session the former student Dr. Babasaheb Matsagar, Research Scientist, Chemical Engineering Department, National Taiwan University, Taipei, Taiwan, explained the 'Basic Principles of HPLC'. He talked in detail about the solvent selection, column selection and column temperature. He explained the application of various columns available for HPLC and the selection technique. He also explained the analysis procedure, reading of HPLC plot and the common issues arising during the analysis and ways to resolve it. He also told about the broadening, tailing effect in plot. In the latter part he answered to the questions raised by participates.

In the second session Mr. Eduardo, Research Scholar, Chemical Engineering Department, National Taiwan University, Taipei, Taiwan, delivered a PPT enabled presentation on the 'Basic Principles of Gas Chromatography'. He explained in detail the parts of GC instruments, the role of carrier gas, oven temperature, detector etc. He further explained about carrier gas, column and detector selection. He described the GC plot, retention time and the common issues arising during the analysis and ways to resolve. In the latter part of his discussion, he answered the questions asked by the participants. 15 UG/PG Students, 06 Research Scholar and 42 Faculties (Total 65) participants participated in the programme.

YouTube Link:<https://youtu.be/cSkZ5F8HcDg>

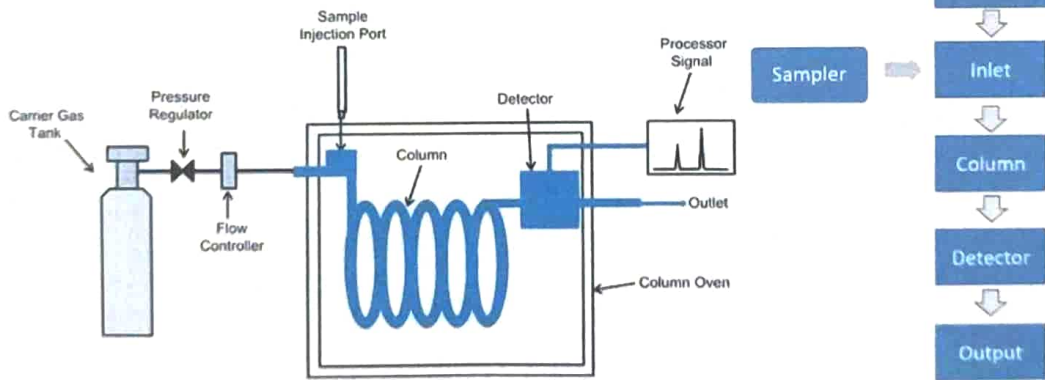
HPLC system components



Sharing Started

Dr. BabasahebMatsagar Delivering lecture

Instrument Workflow and Main Components of GC



Sharing Started

List of Participants

S.N.	Name Of The Participant	Designation	Name Of College/University With City	State
1	Kiran Dilip Badave	Assistant Professor	Chandmal Tarachand Bora College Shirur- Pune	Maharashtra
2	Bhagat Sunil Sheshrao	Associate Professor	R. B. Attal College, Georai	Maharashtra
3	Dr. Sakhare Dhondiram Tukaram	Assistant Professor	Shivaji College Kannad Dist. Aurangabad	Maharashtra
4	Jadhav Satish Babulal	Assistant Professor	R. B. Attal College, Georai	Maharashtra
5	Anand Shailza	Associate Professor	Cskhpkv, Palampur	Himachal Pradesh
6	Kapurkar Amruta Adhikrao	Student	Y. M. College, Pune	Maharashtra
7	Afeefa Thaqib	Assistant Professor	College of Education Lakshadweep, Calicut Uni. Centre, Kavaratti	Lakshadweep
8	Bharade Arun Eknath	Assistant Professor	R. B. Attal College. Georai	Maharashtra
9	Shete Pritam Avinash	Assistant Professor	R.N.C. Arts, J.D.B. Commerce, N.S.C. Science College, Nashik	Maharashtra
10	Mane Komal Vishwas	Student	Yashwantrao Mohite College, Pune	Maharashtra
11	Phalak Raju Pralhad	Professor	D D N Bhole College Bhusawal Dist Jalgaon	Maharashtra
12	Kale Sachin Shivaji	Assistant Professor	A.C.S.College, Navapur	Maharashtra
13	R. Kavitha	Assistant Professor	Madras Christian College, Chennai-59.	Maharashtra
14	Yadav Priyanka Narayan	Student	Bharti University Pune	Tamilnadu
15	Kale Atul Shivaji	Assistant Professor	M.S.G. College, Malegaon Camp, Maegaon	Maharashtra
16	Pandhare Gajanan Ranganath	Associate Professor	Pvp Cllege Pravaranagar	Maharashtra
17	Kadam Pranali Hanmant	Student	Yashwantrao Mohite College Pune	Maharashtra
18	Amol Jijaba Shirsat	Assistant Professor	R. B. Attal College, Georai	Maharashtra
19	Patil Udaysinha Chandrakant	Assistant Professor	Spk College Sawantwadi	Maharashtra
20	Y. Arsia Tarnam	Assistant Professor	Jamal Mohamed College (Autonomous), Trichy 20	Maharashtra
21	Suresh Kumar Purohit	Assistant Professor	Engineering College Bikaner, Bikaner	TamilNadu
22	Patil Vijant Rajusing	Student	Department of Chemistry, SSPU, Pune	Rajasthan
23	Kadam Pankaj Sudam	Student	Vinayakrao Patil Mahavidyalaya	Maharashtra
24	K. Suresh	Assistant Professor	Bharathiar University, Coimbatore	Maharashtra
25	Pawar Yogesh Ashokrao	Assistant Professor	S. P. K. Mahavidyalaya, Sawantwadi	Tamil Nadu
				Maharashtra

26	Thakur Ajay	Associate Professor	SCV Govt College Palampur	Himachal Pradesh
27	M.Monika M.Sc B.Ed	Student	Ganesh College Of Education, Salem	Tamil Nadu
28	Anitha Mary Anne	Assistant Professor	Jyoti Nivas College Autonomous , Bengaluru	Karnataka
29	Patil Sayali Rajendra	Student	Y. M. College, Pune-38	Maharashtra
30	Gawade Bhimraj Namdeo	Assistant Professor	A. D. College, Kada	Maharashtra
31	Chaskar Anita Tukaram	Student	V. P. College Vaijapur	Maharashtra
32	Pansare Dattatraya Navnath	Assistant Professor	Deogiri College Aurangabad	Maharashtra
33	Patil Priyanka Balaso	Student	Smt. K. R. P Kanya Mahavidhyalay, Islampur	Maharashtra
34	Gaikwad Rahul Pandharinath	Research Scholar	Institute of Chemical Technology, Jalna	Maharashtra
35	Rashmi S	Assistant Professor	JSS College Of Arts Commerce And Science, Mysore	Maharashtra
36	Kadte Pravin Pradeep	Student	Mumbai University	Karnataka
37	Rawool Prajakta Madan.	Student	S. P. K. College Sawantwadi. /Mumbai University.	Maharashtra
38	Upadhyay Anima	Assistant Professor	Sir Mvit, Bangalore	Maharashtra
39	Meiyazhagan S	Research Scholar	Dept. of Physics, Bharathiar University, Coimbatore.	Karnataka
40	Taware Swapnil Pandurang	Student	Y.M.College Pune	Tamil Nadu
41	Pawale Shivani Bhairu	Student	Krp College, Islampur	Maharashtra
42	Kachare Archana Ankush	Assistant Professor	Sunderrao Solanke Mahavidyalaya Majalgaon-Beed	Maharashtra
43	Kute Mahesh Suresh	Student	Department Of Chemistry, Dr. BAMU Aurangabad	Maharashtra
44	Shruti Bajpai	Research Scholar	ICT Mumbai Jalna Campus	Maharashtra
45	Dr. Dattatraya Babasaheb Jirekar	Assistant Professor	Anandrao Dhonde Alias Babaji Mahavidyalaya Kada	Maharashtra
46	Shelke Rohini Narayan	Assistant Professor	S.G.M College, Karad	Maharashtra
47	Zine Ashok Maroti	Professor	V. P. College, Vaijapur	Maharashtra
48	Agrawal Poonam Tikamchand	Assistant Professor	Shri R. L. T. College Of Science Akola	Maharashtra
49	Niraj Deshmukh	Research Scholar	Nashik	Maharashtra
50	Peerzade Shueb Alam	Assistant Professor	Milliya Senior College Beed	Maharashtra
51	Ashish Kumar Jatav	Research Scholar	Bundelkhand University Jhansi	Maharashtra
52	Landge Mahadev Landge	Professor	Vaidyanath College, Parli-Vajnath 431515	Uttar Pradesh
53	Pravin Ravichandra Jagtap	Assistant Professor	Balbhim Arts, Science And Commerce College, Beed	Maharashtra

	Deshpande Prathmesh Pramod	Research Scholar	RBNB College Shrirampur	Maharashtra
54	Baliram Dhapase	Professor	V. P. College Vaijapur, District Aurangabad	Maharashtra
55	Kshirsagar Santosh Ramchandra	Assistant Professor	Dada Patil Mahavidyalaya Karjat Dist Ahmednagar	Maharashtra
56	Vikram Mahipatrao Desai	Assistant Professor	Smt. Kasturbai Walchand College, Sangli	Maharashtra
57	Omprakash Tukaram Sangule	Assistant Professor	Smt. Kasturbai Walchand College, Sangli	Maharashtra
58	Mishra Richa	Assistant Professor	Kmivaa Tutorials	Uttar Pradesh
59	Birajdar Appasaheb Tukaram	Assistant Professor	Shikshanmaharshi Dr. Bapuji Salunkhe College, Miraj.	Maharashtra
60	Naik Manjushri C	Assistant Professor	Smt. K. W. College, Sangli	Maharashtra
61	Priyanka Tushar More	Assistant Professor	Vashi-	Maharashtra
62				



Coordinator
 STRIDE Component 1
 M.S.P. Mandal's
 Vinayakrao Patil Mahavidyalaya
 Vaijapur



Principal
 PRINCIPAL

Vinayakrao Patil Mahavidyalaya,
 Vaijapur Dis., Aurangabad